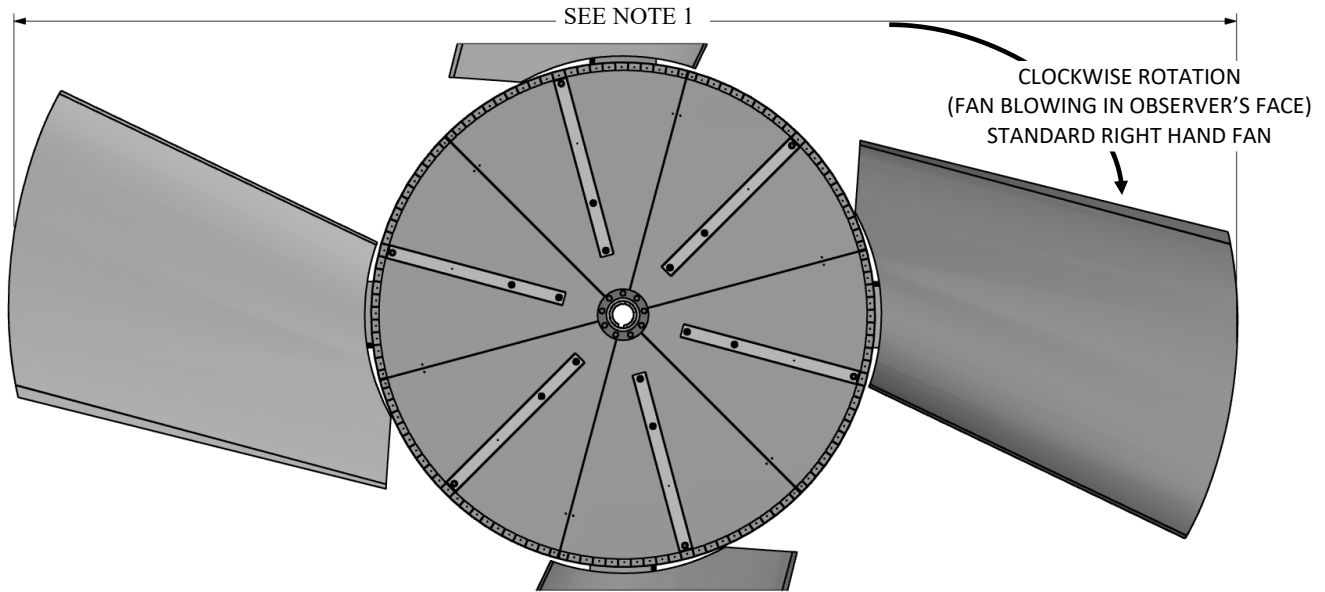
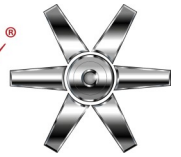


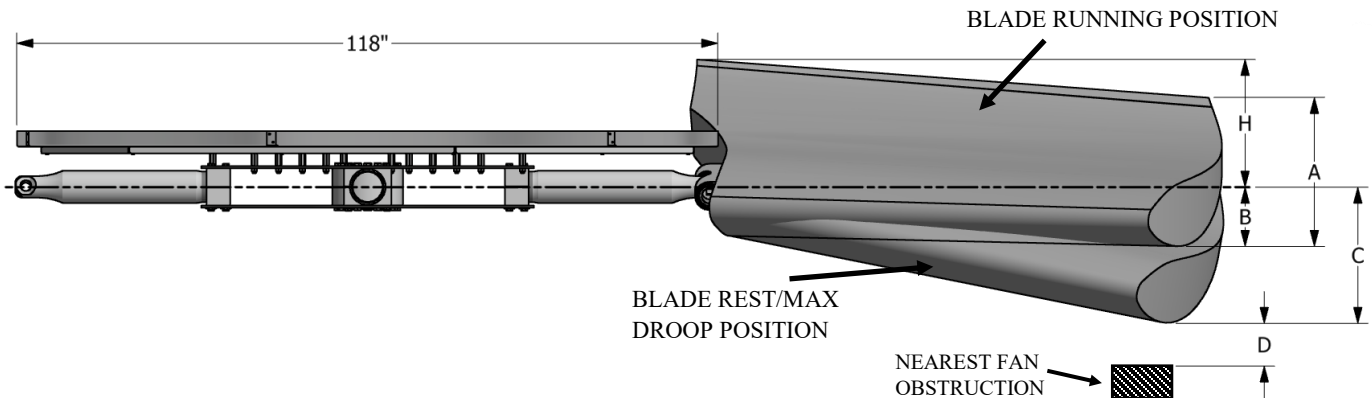
# CLASS 10000 MAG SERIES 120

RH ROTATION

*Moore*  
FANS

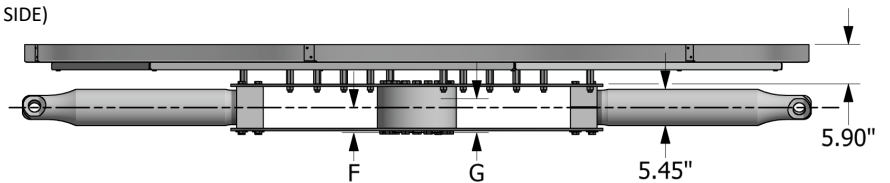


NOTE 1:  
MAXIMUM FAN DIAMETER EQUALS NOMINAL FAN DIAMETER.  
ADJUSTMENT OF ±1.5 INCHES POSSIBLE AT INSTALLATION



- A = BLADE TIP PROFILE HEIGHT (PATH WIDTH)
- B = BLADE RUNNING DROOP (C/L TO BOTTOM OF BLADE)
- C = MAXIMUM DROOP POSITION OF BLADES AT 30° (C/L TO BOTTOM OF BLADE)
- D = MINIMUM OBSTACLE CLEARANCE AT INLET
- F = CENTERLINE OF FAN TO BASE OF BUSHING (STANDARD HUB WITHOUT EXTENSION)
- G = BUSHING OVERALL HEIGHT
- H = MAXIMUM HEIGHT OF BLADE AT 25° (C/L TO AIR OUTLET SIDE)
- L = MAX . BUSHING TORQUE FT. LBS.
- # = WITH S.A.E. STANDARD SQUARE KEYWAY
- \* = WITH SHALLOW KEYWAY IN BUSHING
- o = MAX METRIC BORE WITH STANDARD KEYWAY

BUSHING AND/OR AIR SEAL  
CAN BE INSTALLED ON INLET  
OR OUTLET SIDE OF FAN



SHAFT (BY OTHERS) MUST  
FULLY ENGAGE BUSHING

| DIA | WITH FAN OPERATING AT<br>10000 FT/MINUTE BLADE TIP SPEED |       |       |                          |       |       |    |       |
|-----|--|-------|-------|--------------------------|-------|-------|----|-------|
|     | BLADE ANGLE  |       |       | PERCENT BLADE<br>LOADING |       |       |    |       |
|     | 15°  | 20°   | 25°   | 100%                     | 75%   |       |    |       |
|     | A  | B     | C     | D                        | H     |       |    |       |
| 24' | 27.4"  | 33.0" | 38.8" | 28.6"                    | 25.7" | 35.9" | 6" | 34.7" |

| MAX<br>BLADES | BUSHING<br>TYPE | MAX<br>#<br>BORE | MAX<br>*<br>BORE | MAX<br>o<br>BORE | F    | G    | L     |
|---------------|-----------------|------------------|------------------|------------------|------|------|-------|
| 10            | Z               | 5.000"           | 5.500"           | 140              | 3.7" | 4.0" | 18000 |